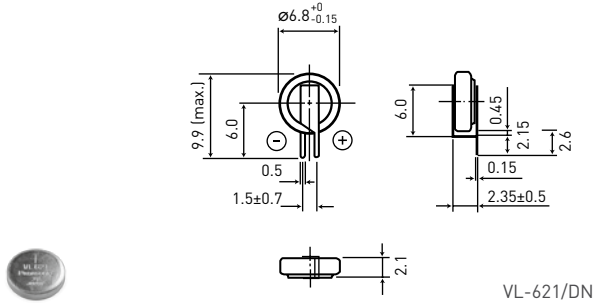


### 3 VANADIUM RECHARGEABLE LITHIUM BATTERIES (VL SERIES)

#### VL-621

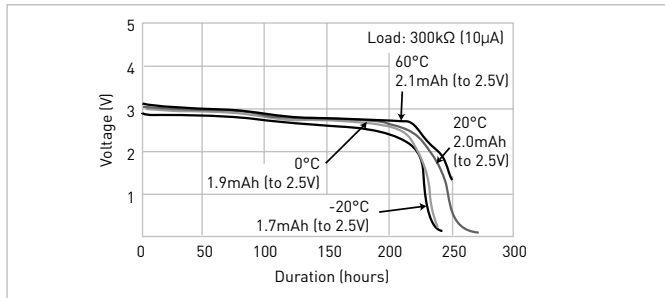
##### DIMENSIONS (MM)



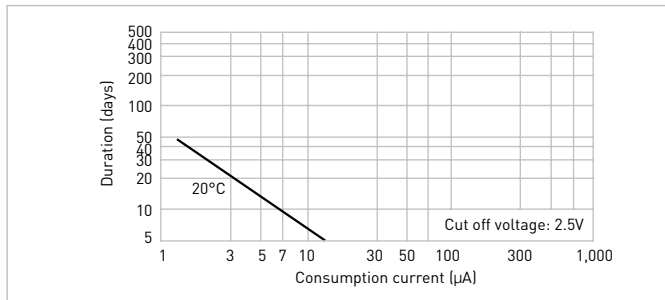
VL-621/DN

Model number	VL-621
Nominal voltage (V)	3
Nominal capacity (mAh)	1.5
Diameter (mm)	6.8
Total height (mm)	2.1
Discharging temperature range (°C)	-20 to +60
Weight (g)	0.3

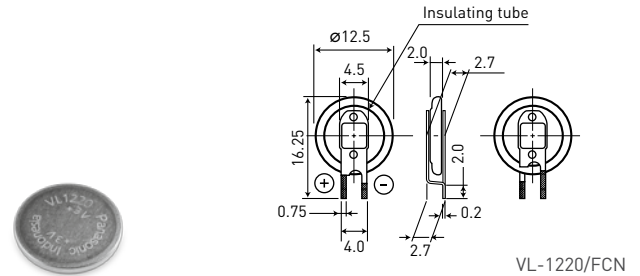
##### DISCHARGE TEMPERATURE CHARACTERISTICS



##### CONSUMPTION CURRENT VS. DURATION TIME



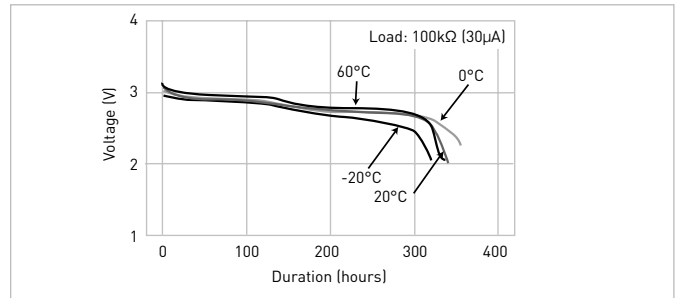
#### VL-1220



VL-1220/FCN

Model number	VL-1220
Nominal voltage (V)	3
Nominal capacity (mAh)	7.0
Diameter (mm)	12.5
Total height (mm)	2.0
Discharging temperature range (°C)	-20 to +60
Weight (g)	0.8

##### DISCHARGE TEMPERATURE CHARACTERISTICS



##### CONSUMPTION CURRENT VS. DURATION TIME

